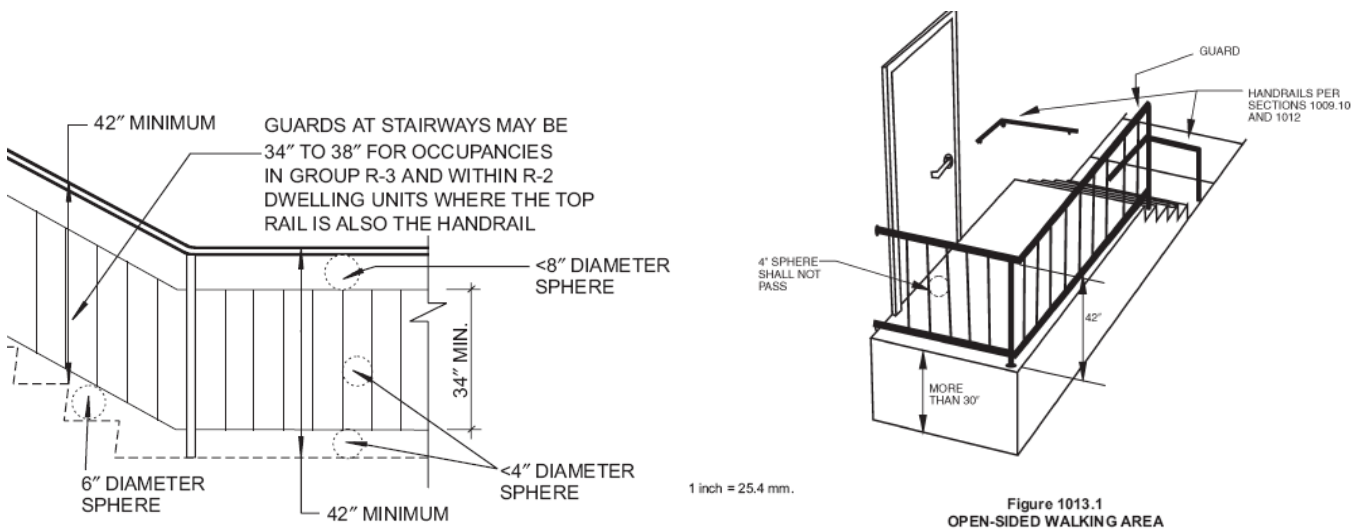


GUARDS – 2015 IBC Section 1015 & IRC Section R312

1015 GUARDS - Where required. Guards shall be located along open-sided walking surfaces, mezzanines, equipment platforms, stairs, ramps and landings which are located more than 30 inches (762 mm) measured vertically to the floor or grade below at any point within 36 inches (914mm) horizontally to the edge of the open side. Guards shall be adequate in strength and attachment in accordance with Section 1607.8. See code for exceptions.

1015.3 Height. Required guards shall be not less than 42 inches (1067mm) high, measured vertically as follows:

1. From adjacent walking surfaces.
2. On stairways and stepped aisles, from the line connecting the leading edges of the tread nosings.
3. On ramps and ramped aisles, from the ramp surface at the guard. See code for exceptions.



R312.1.1 Where required. Guards shall be located along open-sided walking surfaces, including stairs, ramps and landings that are located more than 30 inches (762mm) measured vertically to the floor or grade below at any point within 36 inches (914mm) horizontally to the edge of the open side. Insect screening shall not be considered as a guard.

R312.3.1 Opening limitations. Required guards shall not have openings from the walking surface to the required guard height which allows passage of a sphere 4 inches (102 mm) or more in diameter.

Exceptions:

1. The triangular openings at the open side of the stair, formed by the riser, tread and bottom rail of a guard, shall not allow the passage of sphere 6 inches (153 mm).
2. Openings for required guards on the sides of stair treads shall not allow a sphere 4-3/8 inches (111 mm) to pass through.

IF STAIR IS MORE THAN 30 IN. ABOVE THE FLOOR BELOW AT ANY POINT OF THE STAIR'S FLIGHT, A GUARD IS REQUIRED ALONG THE OPEN SIDE.

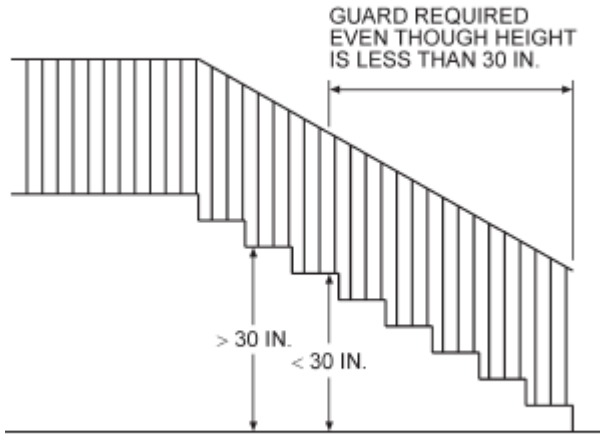


Figure R312.1(1)
STAIRWAY GUARD

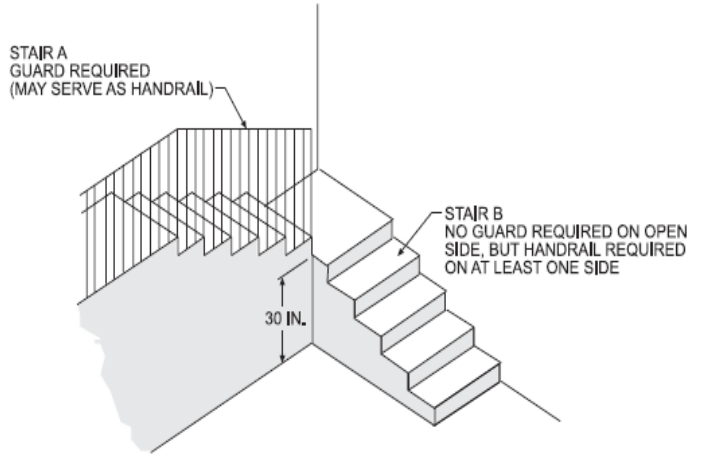
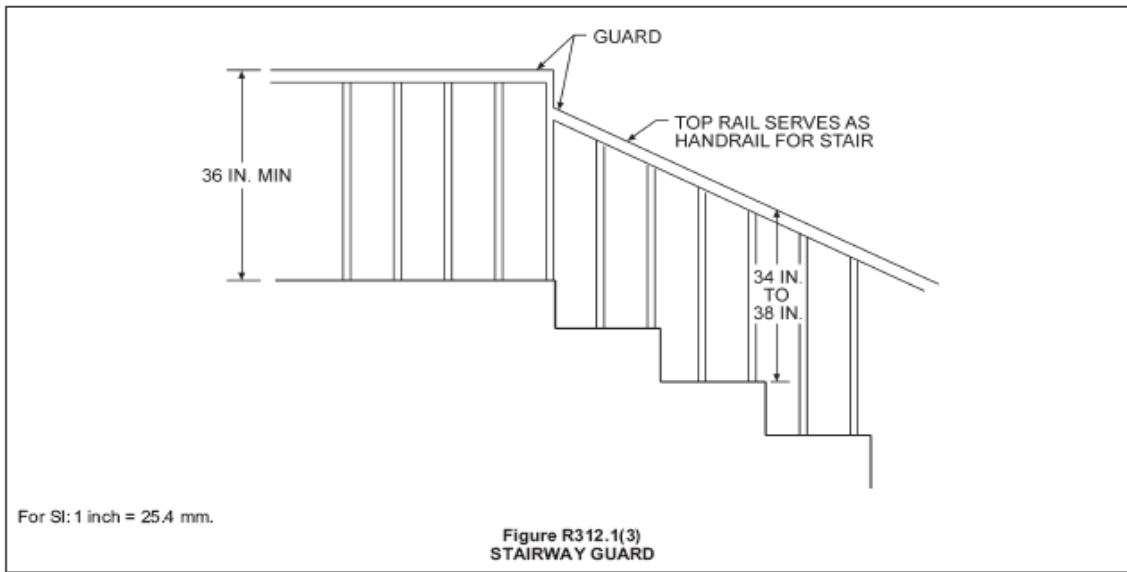


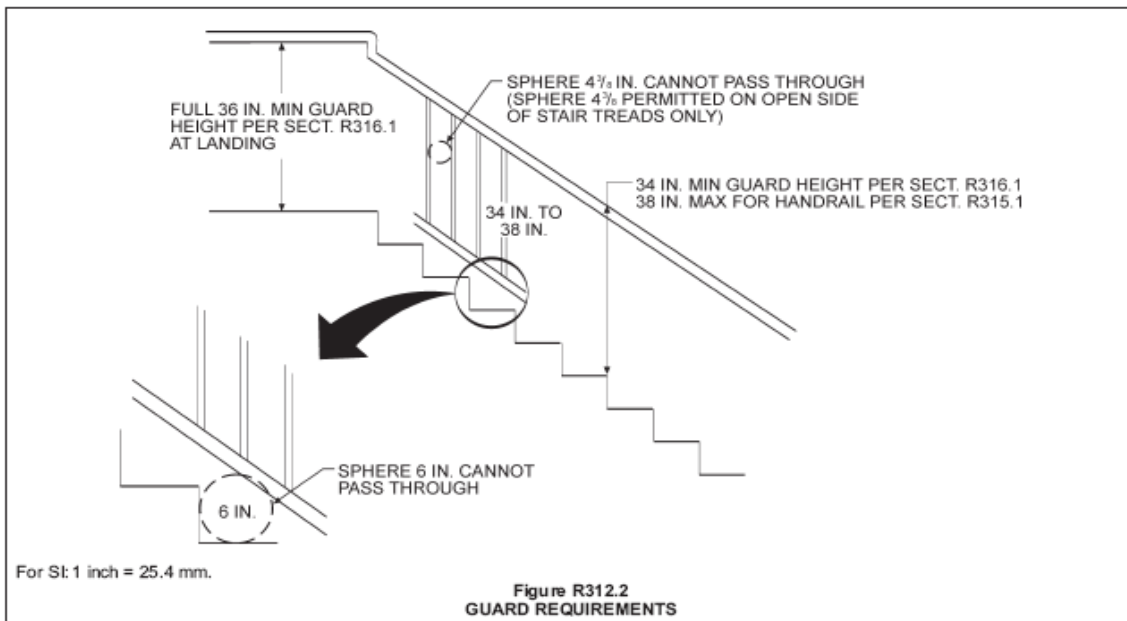
Figure R312.1(2)
STAIRWAY GUARD

nch = 25.4 mm.



For SI: 1 inch = 25.4 mm.

Figure R312.1(3)
STAIRWAY GUARD



For SI: 1 inch = 25.4 mm.

Figure R312.2
GUARD REQUIREMENTS