

VOLTAGE 120/240V  
 PHASE 1 WIRE 3  
 BUS AMPS 200

PANEL EXISTING "A"  
 MAIN AMPS 200 MCB

LOCATION INTERIOR SHELTER  
 MOUNTING SURFACE  
 DWG. NO. \_\_\_\_\_

DESCRIPTION	VOLT/AMPS		BRKR AMP	CKT NO.	BUS CONN.	CKT NO.	BRKR AMP	VOLT/AMPS		DESCRIPTION
	A	B						A	B	
EXISTING LOAD (INCLUDED IN METERED DEMAND)			20	1	1	2	2	60		EXISTING LOAD (INCLUDED IN METERED DEMAND)
EXISTING LOAD (INCLUDED IN METERED DEMAND)			20	1	3	4		-		EXISTING LOAD (INCLUDED IN METERED DEMAND)
EXISTING LOAD (INCLUDED IN METERED DEMAND)			20	1	5	6	2	30		EXISTING LOAD (INCLUDED IN METERED DEMAND)
EXISTING LOAD (INCLUDED IN METERED DEMAND)			20	1	7	8		-		EXISTING LOAD (INCLUDED IN METERED DEMAND)
EXISTING LOAD (INCLUDED IN METERED DEMAND)			20	1	9	10	2	30		EXISTING LOAD (INCLUDED IN METERED DEMAND)
EXISTING LOAD (INCLUDED IN METERED DEMAND)			20	1	11	12		-		EXISTING LOAD (INCLUDED IN METERED DEMAND)
EXISTING LOAD (INCLUDED IN METERED DEMAND)			20	1	13	14	1	20		EXISTING LOAD (INCLUDED IN METERED DEMAND)
EXISTING LOAD (INCLUDED IN METERED DEMAND)			20	1	15	16	1	20		EXISTING LOAD (INCLUDED IN METERED DEMAND)
EXISTING LOAD (INCLUDED IN METERED DEMAND)			20	1	17	18	1	20		EXISTING LOAD (INCLUDED IN METERED DEMAND)
EXISTING LOAD (INCLUDED IN METERED DEMAND)			20	1	19	20	1	20		EXISTING LOAD (INCLUDED IN METERED DEMAND)
EXISTING LOAD (INCLUDED IN METERED DEMAND)			20	1	21	22	1	20		EXISTING LOAD (INCLUDED IN METERED DEMAND)
EXISTING LOAD (INCLUDED IN METERED DEMAND)			20	1	23	24	1	20		EXISTING LOAD (INCLUDED IN METERED DEMAND)
EXISTING LOAD (INCLUDED IN METERED DEMAND)			20	1	25	26	1	20	1.30	RADIO "A" EQUIPMENT CABINET
EXISTING LOAD (INCLUDED IN METERED DEMAND)			20	1	27	28	1	20	1.30	RADIO "B" EQUIPMENT CABINET
EXISTING LOAD (INCLUDED IN METERED DEMAND)			20	1	29	30		-		-
-			20	1	31	32		-		-
-			-	-	33	34		-		-
-			-	-	35	36	2	60		EXISTING LOAD (INCLUDED IN METERED DEMAND)
-			-	-	37	38		-		EXISTING LOAD (INCLUDED IN METERED DEMAND)
-			-	-	39	40	2	60		SURGE PROTECTOR
-			-	-	41	42		-		SURGE PROTECTOR
SUB TOTALS										SUB TOTALS

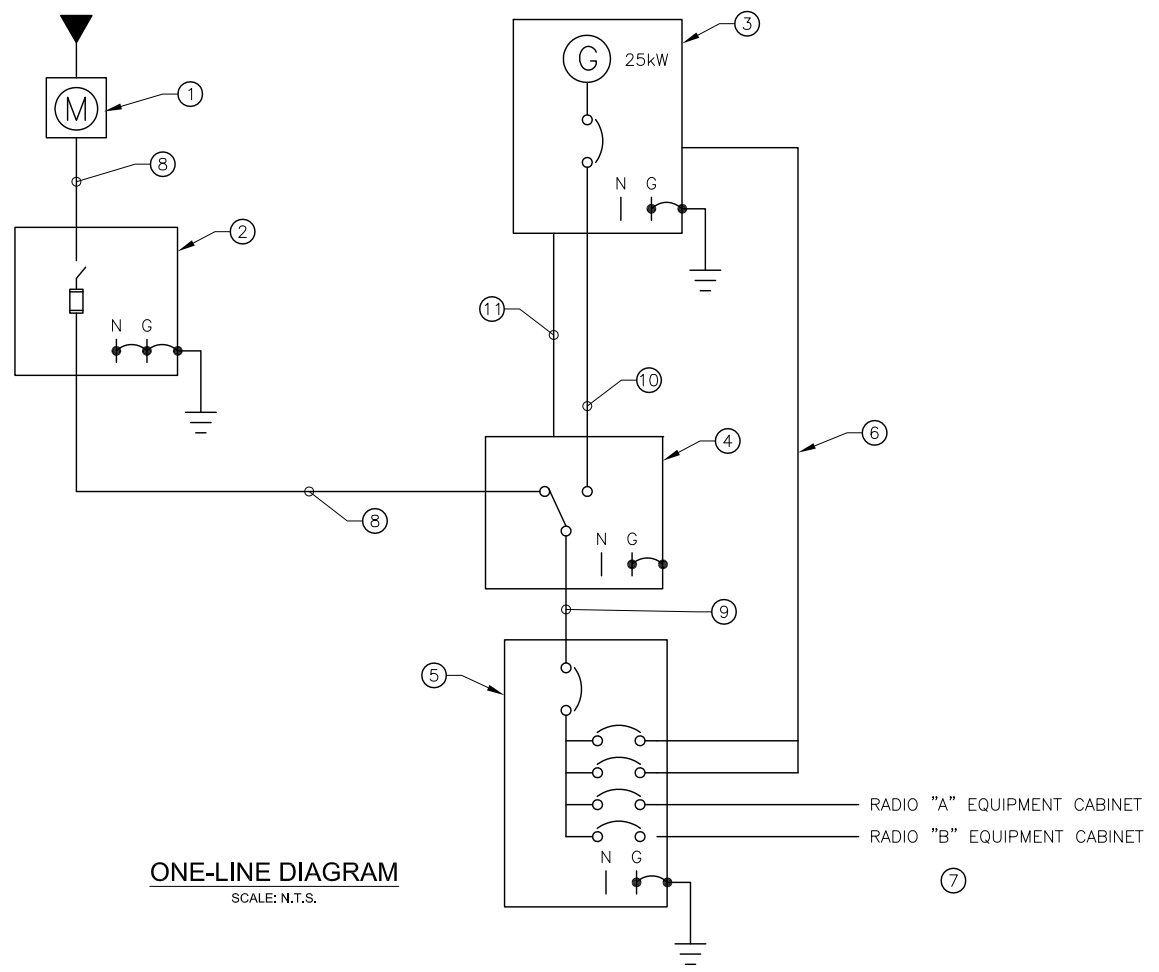
METERED DEMAND	ADDED LOAD	TOTAL LOAD
TOTAL <u>7.59</u>	TOTAL <u>2.6</u>	TOTAL <u>10.19</u>

METERED DEMAND VA 7.59 x 1.25 "PER NEC ART. 220.87" = 9.48  
 ADDED VA = 2.60  
 TOTAL VA = 12.08  
 AMPS = 50.3

**MAIN DISTRIBUTION PANEL SCHEDULE**  
 SCALE: N.T.S.

**NOTES**

- ① EXISTING UTILITY SERVICE AND METER TO REMAIN.
- ② EXISTING 200A 120/240V 1PH, 3W NEMA 3R SERVICE ENTRANCE RATED FUSED SWITCH DISCONNECT.
- ③ EXISTING 25kW 120/240V 1PH, 3W GENERATOR TO REMAIN.
- ④ EXISTING AUTOMATIC TRANSFER SWITCH, 120/240V, 200AMP, 1PH, 2 POLE, SOLID NEUTRAL TO REMAIN.
- ⑤ EXISTING PANEL "A", 120/240V, 1PH, 3W, 200 AMP MCB TO REMAIN. (NOTE: A REVIEW OF 1 YEAR ELECTRIC USAGE HAS SHOWN, OVER A 12 MONTH PERIOD, PER NEC 220.87, A MAXIMUM DEMAND OF 7.59kW. THEREFORE, ADDING 2.6kW OF NEW LOAD WILL NOT OVERLOAD THE GENERATOR, OR THE MAIN CIRCUIT BREAKER IN THE PANEL.)
- ⑥ EXISTING BRANCH CIRCUITS FOR GENERATOR ACCESSORIES (CONTROL POWER, BATTERY CHARGER, BLOCK HEATER, ETC.) TO REMAIN.
- ⑦ NEW CIRCUIT BREAKERS PROVIDED IN EXISTING PANEL SHALL MATCH EXISTING AIC RATING OF EXISTING CIRCUIT BREAKER, FIELD VERIFY.
- ⑧ EXISTING 200 AMP NORMAL POWER FEEDER TO REMAIN.
- ⑨ EXISTING 200 AMP FEEDER FROM LOAD SIDE OF AUTOMATIC TRANSFER SWITCH TO REMAIN.
- ⑩ EXISTING FEEDER FROM EXISTING GENERATOR TO EXISTING AUTOMATIC TRANSFER SWITCH TO REMAIN.
- ⑪ EXISTING GENERATOR CONTROL AND COMMUNICATIONS WIRING TO REMAIN.



PLANS PREPARED FOR: \_\_\_\_\_

**L3HARRIS**™

7022 TPC DRIVE, SUITE 500  
 ORLANDO, FL 32822

PLANS PREPARED FOR: \_\_\_\_\_

**T-SQUARED**  
 SITE SERVICES

2500 HIGHLAND ROAD, SUITE 201  
 HERMITAGE, PA 16148  
 724.308.7855  
 www.t-sqr.com

COPYRIGHT © 2020 T-SQUARED SITE SERVICES, LLC

PLANS PREPARED BY: \_\_\_\_\_

SITE NAME:  
 MT. EMERALD

SITE ID:  
 SV383-03

38350 BLACKMERE DRIVE  
 STEAMBOAT SPRINGS, CO  
 80487

40.462239°,-106.850667°

REVISIONS:

DESCRIPTION	DATE	BY	REV
REVISED FINAL CDS	04.15.21	TM	3
REVISED FINAL CDS	03.03.21	TM	2
FINAL CDS	01.22.21	TM	1
ISSUED FOR REVIEW	11.09.20	JK	0

ENGINEERING LICENSE & SEAL:

THESE DOCUMENTS ARE CONFIDENTIAL AND ARE THE SOLE PROPERTY OF L3HARRIS TECHNOLOGIES, INC. AND MAY NOT BE REPRODUCED, DISSEMINATED OR REDISTRIBUTED WITHOUT THE EXPRESS WRITTEN CONSENT OF L3HARRIS TECHNOLOGIES, INC.

SHEET TITLE:  
**PANEL SCHEDULE/  
 ONE LINE DIAGRAM**

SHEET NUMBER: **E-3**      REV.: **3**  
 55013